

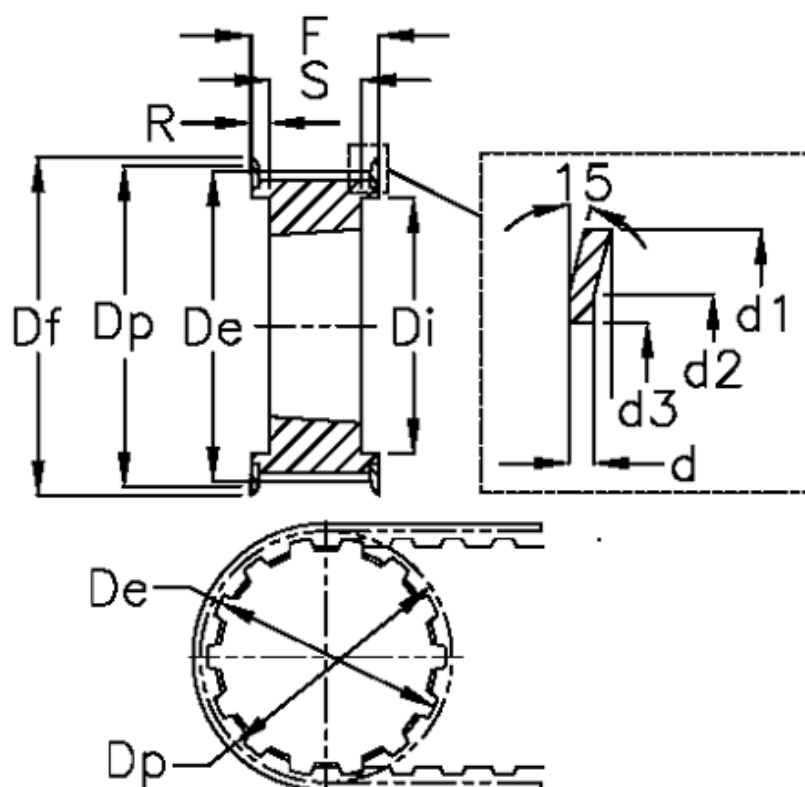
# Data Sheet



Article number: 604133044085

Description: Taper bored timing belt pulley  
HTD 44 14M 85 TL 3020

## Measures



$d = 2.5$	F = 102	Weight = 11.8
$d1 = 212$	Flange type = F61	Width = 85
$d2 = 200$	For bushing = 3020	
$d3 = 162$	Max bore = 75	
$De = 193.28$	r = 25.5	
$Df = 212$	S = 51	
$Di = 153$	Tooth number = 44	
$Dp = 196.08$	Type = 14M	